

PIANO SATINEE

Mixer Taps

Code: R499 A00

MITIGEUR PPIANO INOX



DETAILS

Mixer type Single-lever mixer tap with rotating, collapsible barrel (Up&Down), with remote control.

Material Brass

Texture Brushed in line

Rotating angle 360°

Strengthening plate Ø44 mm

Cartridge With ceramic discs

Holes distance See "Cut out drawing"

Double hole requested Necessary

Mixer hole ø35mm

Max worktop thickness 40 mm

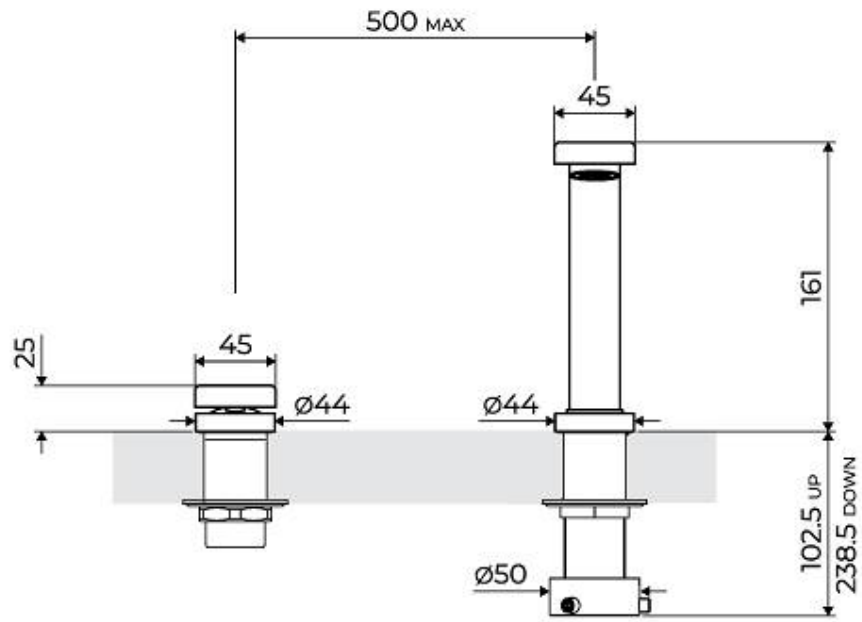
FEATURES

COLLAPSIBLE BARREL Feature that makes it possible to foresee the sink in front of a window, so as to enjoy the natural light.

Rotating angle All the taps have a wide angle of rotation. Some models even permit a full 360° rotation.

Strengthening plate Foster's mixer taps are equipped with the strengthening plate that offers perfect stability on any sink.

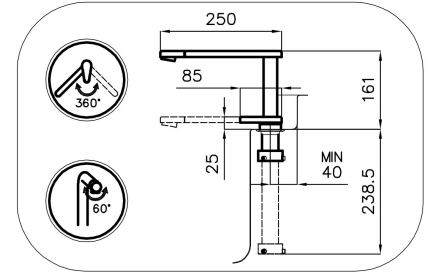
TECHNICAL DATA



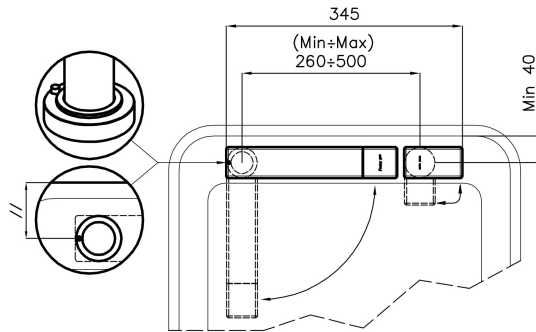
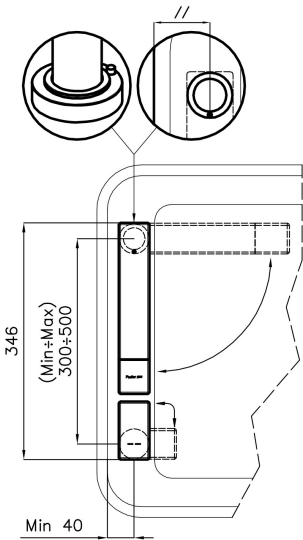
Eclipse - 8499 000

Installation sheet - Foglio installazione

Front side—Mixer tap on the left
 Lato frontale—Miscelatore a sinistra

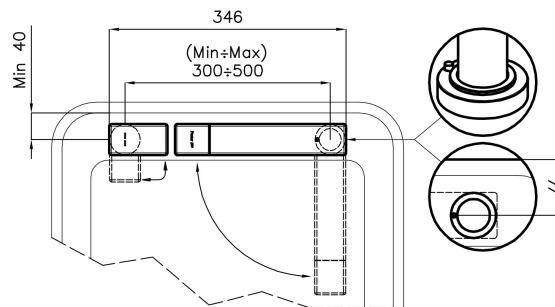
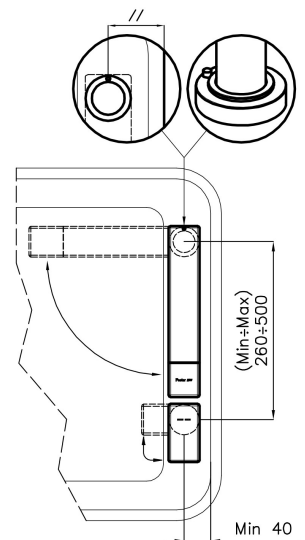


Left side
 Lato sinistro



Front side—Mixer tap on the right
 Lato frontale—Miscelatore a destra

Right side
 Lato destro



GALLERY

